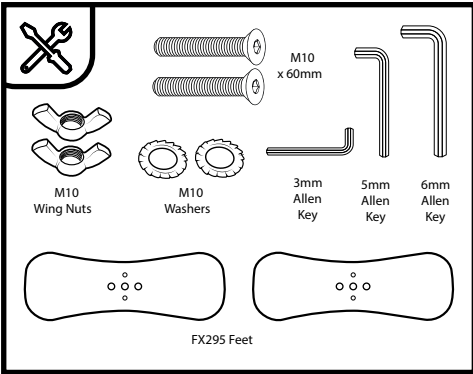
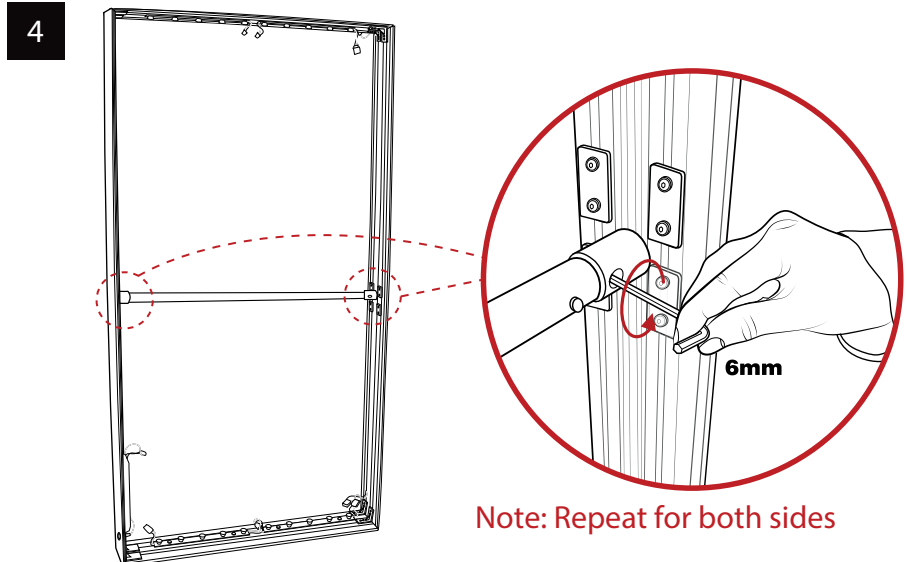
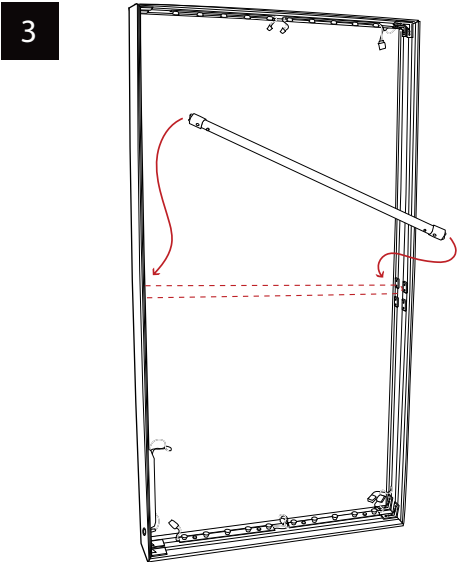
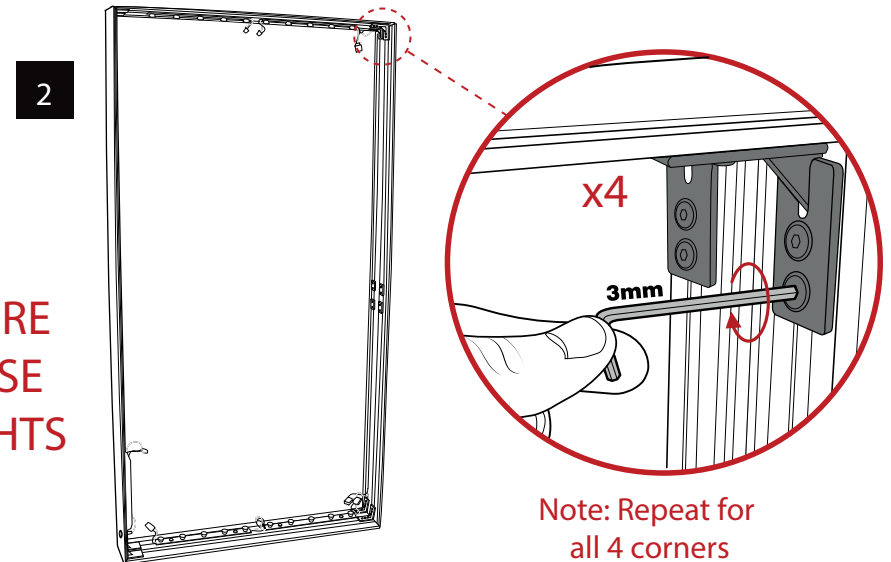
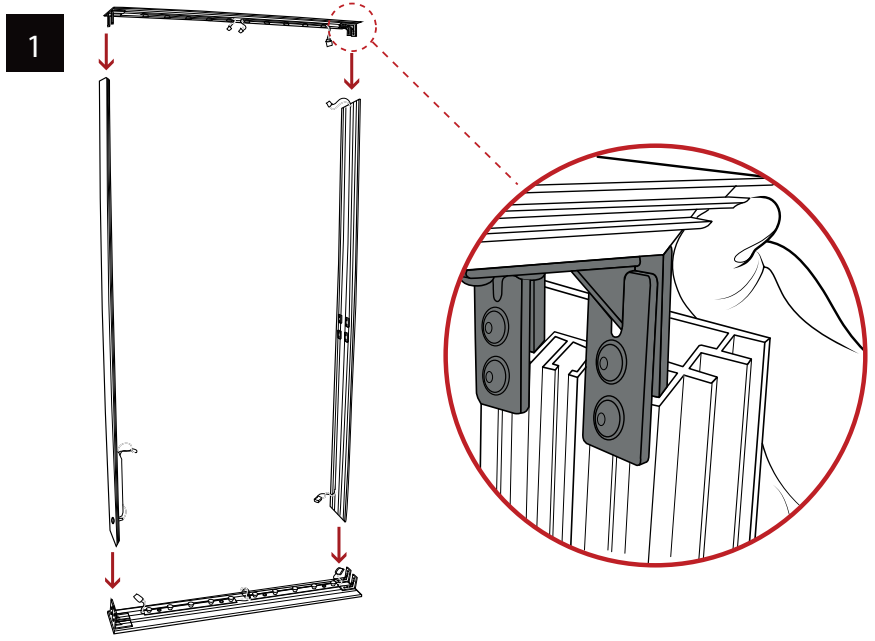


# 100mm LED Lightbox

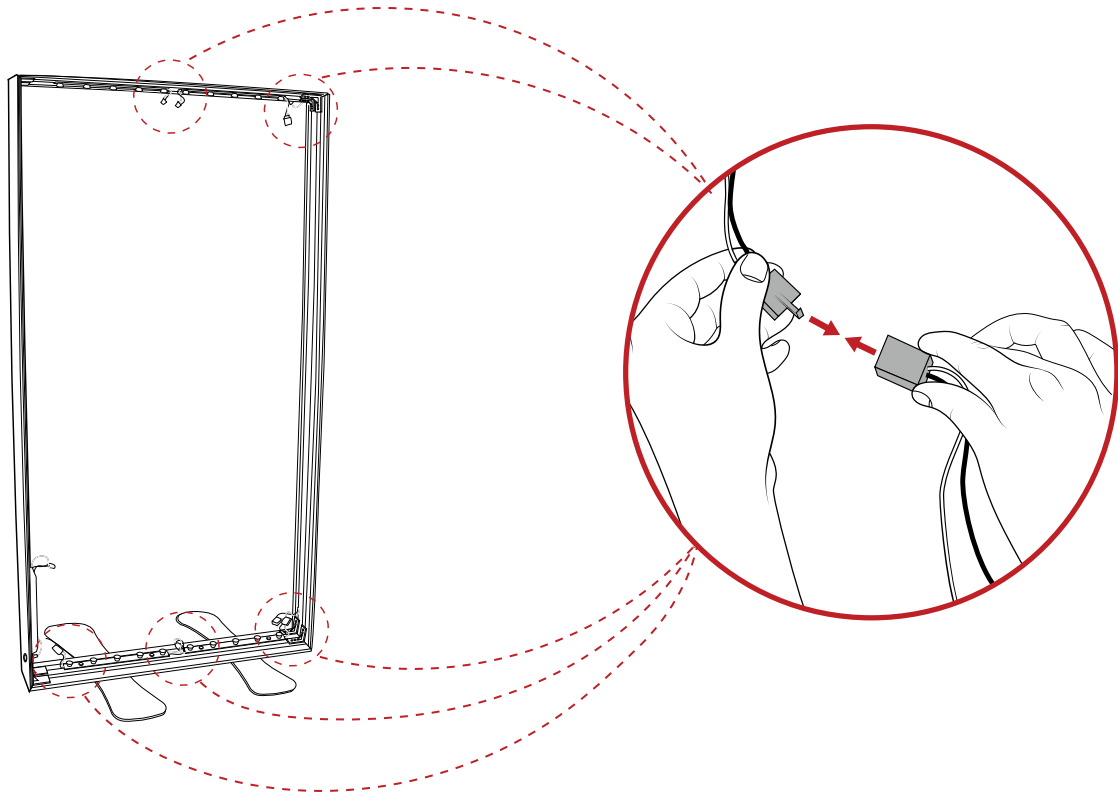


**⚠** **DOUBLE CHECK ALL SOCKETS AND CONNECTIONS BEFORE SUPPLYING POWER. MIS-USE COULD DAMAGE LED LIGHTS**

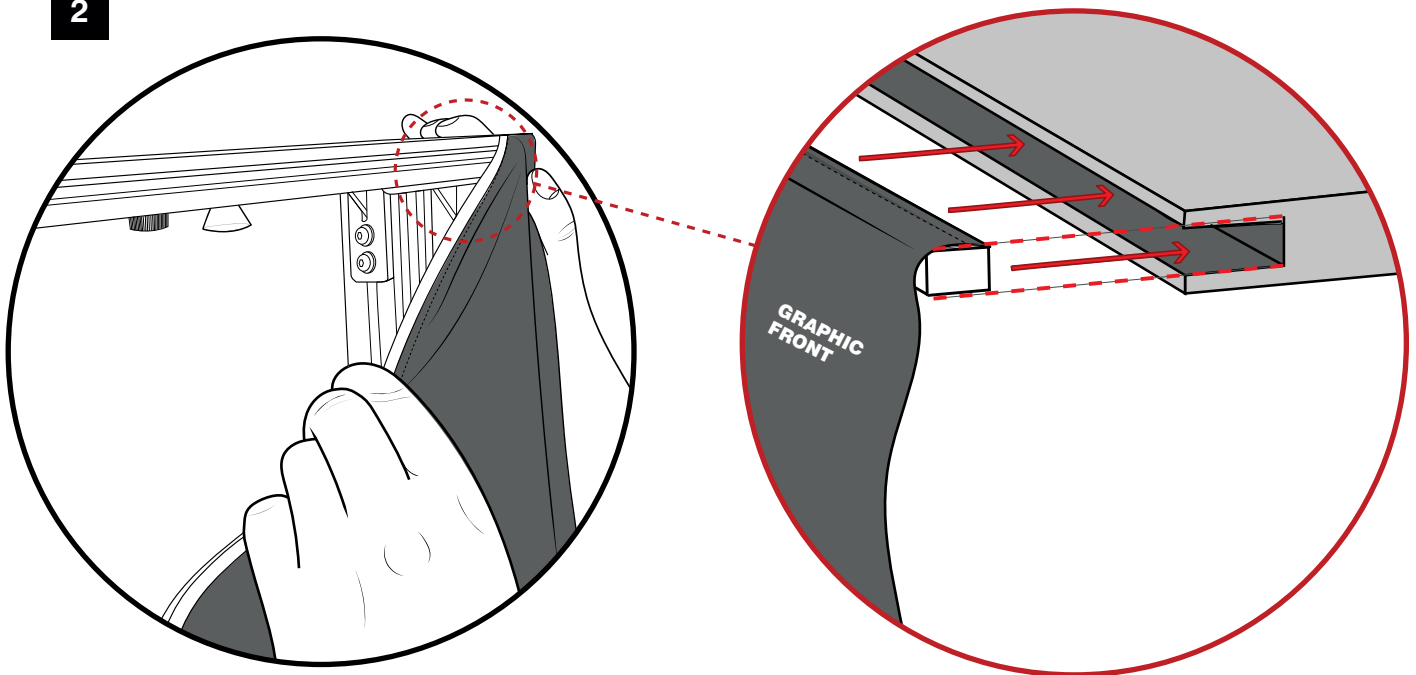


## Link up/Attaching Graphics

1

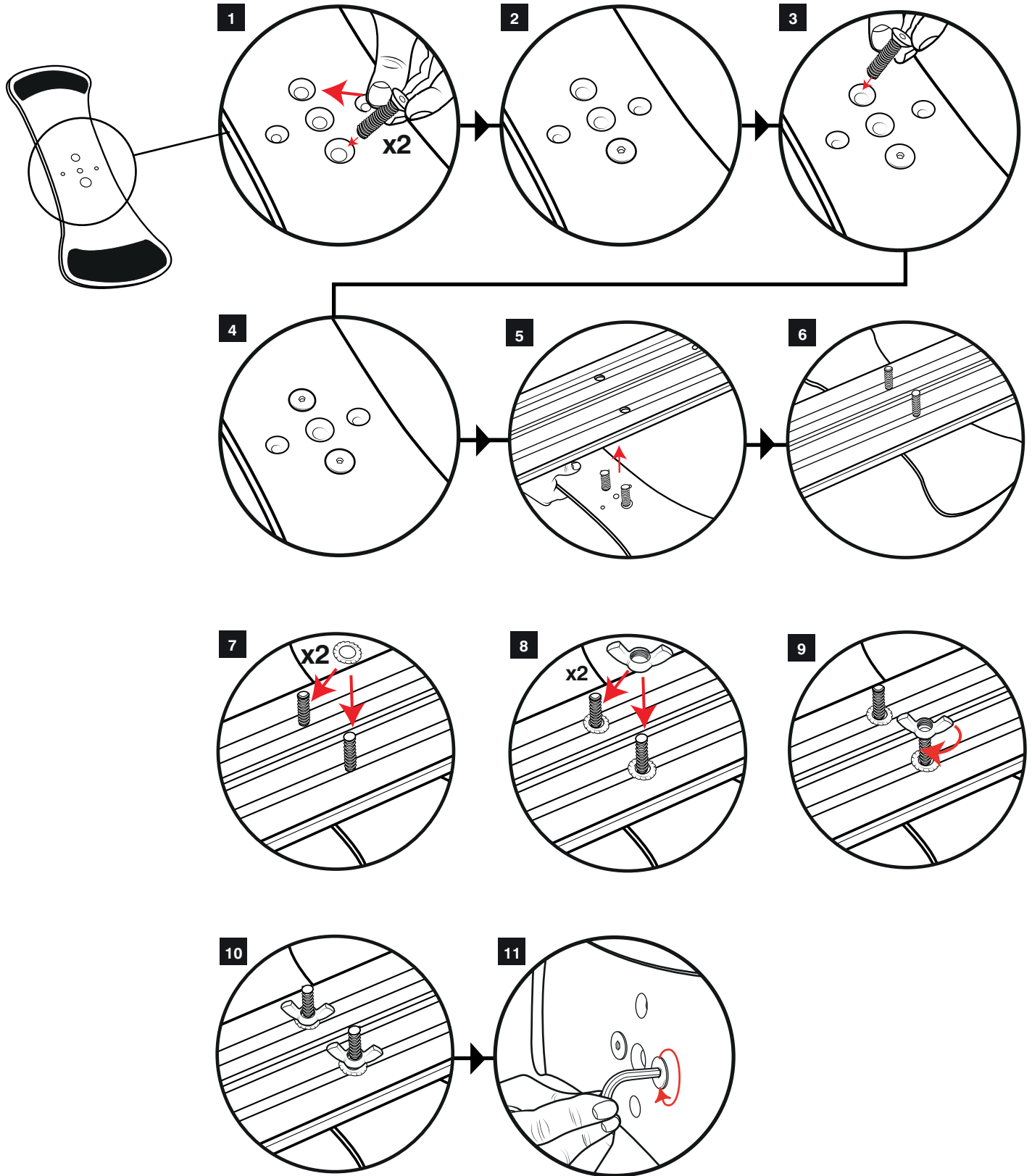


2

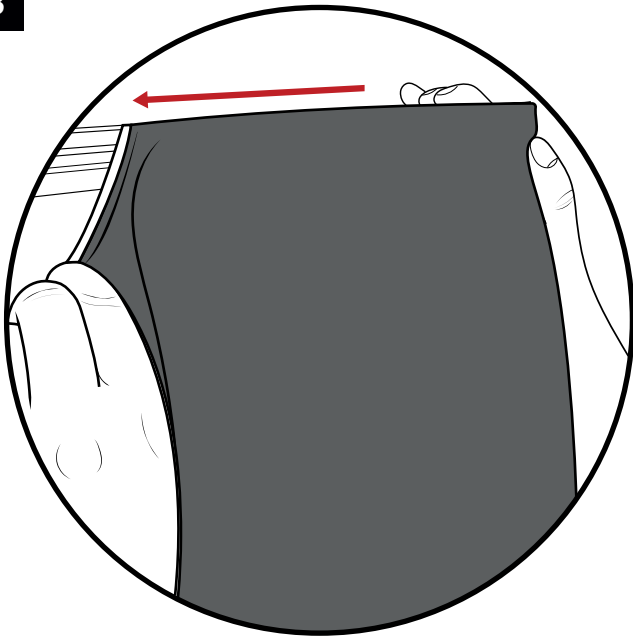




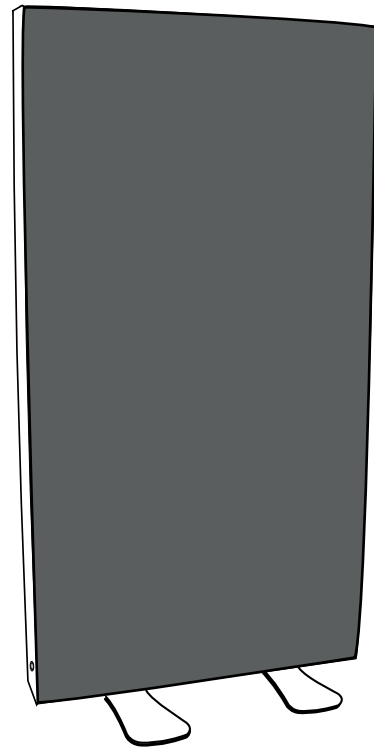
## Attaching Feet



3

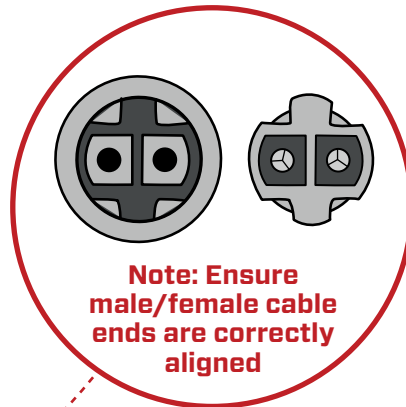
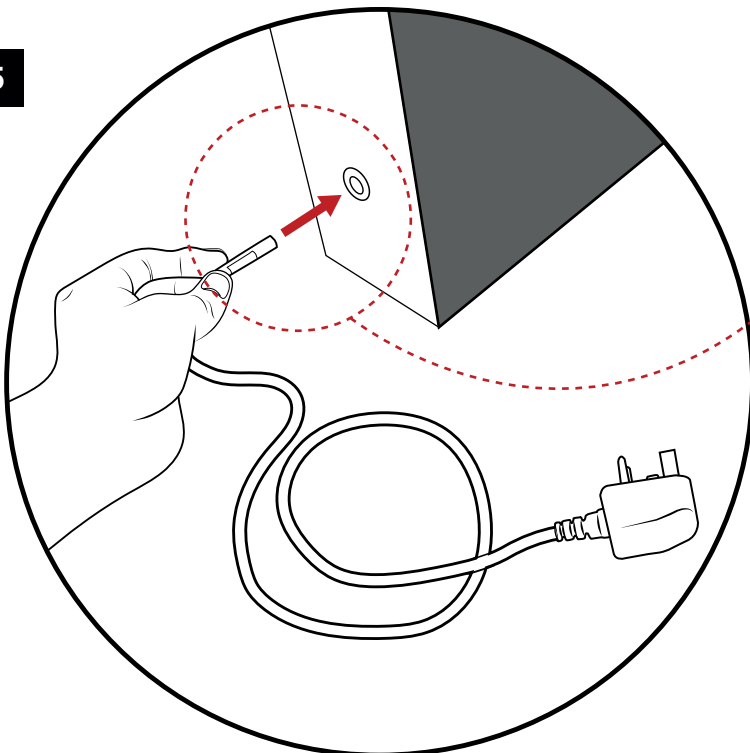


4

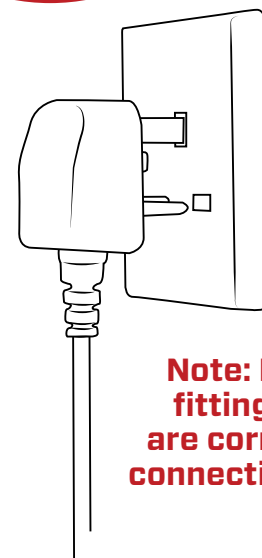


**Note: Repeat steps for the back of lightbox**

5



**Note: Ensure male/female cable ends are correctly aligned**



**Note: Ensure all fittings/cables are correct before connecting to power**